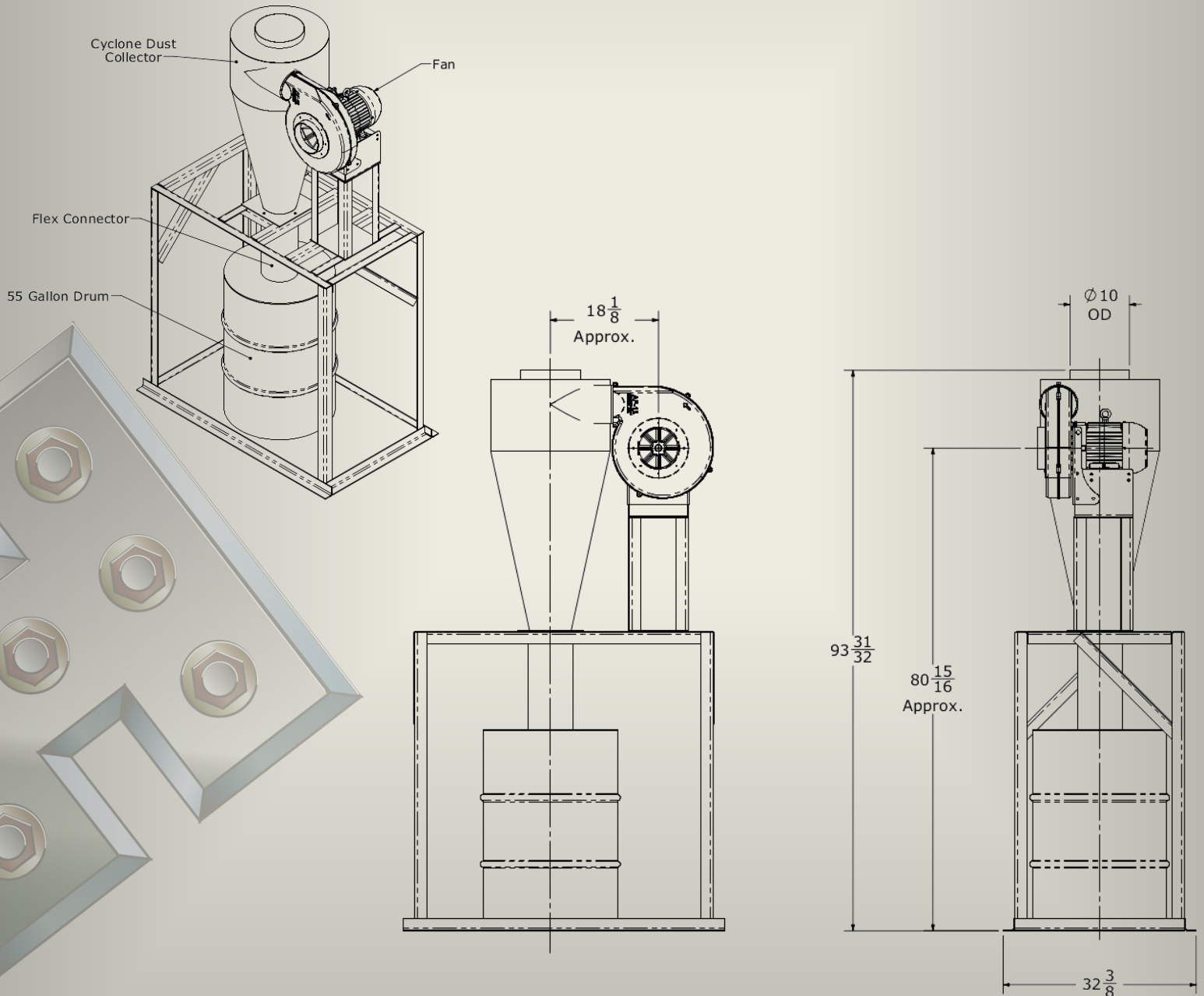


CYCLONE DUST COLLECTOR



Effectively managing dust created during the cleaning of oilfield tubulars is an important safety and environmental issue that no operator can ignore. Fortunately, a cost effective and proven solution exists with the Cyclone Dust Collector. The Cyclone Dust Collector features a fan blown collector system that deposits dust and other particulates into an easy to empty drum. The collector is also easily attached to Pipe Cleaning Machines with available corrugated ducting.



Hub City Iron Works

Phone: 1.337.334.6969

Email: sales@hubcityironworks.com

Website: www.hubcityironworks.com