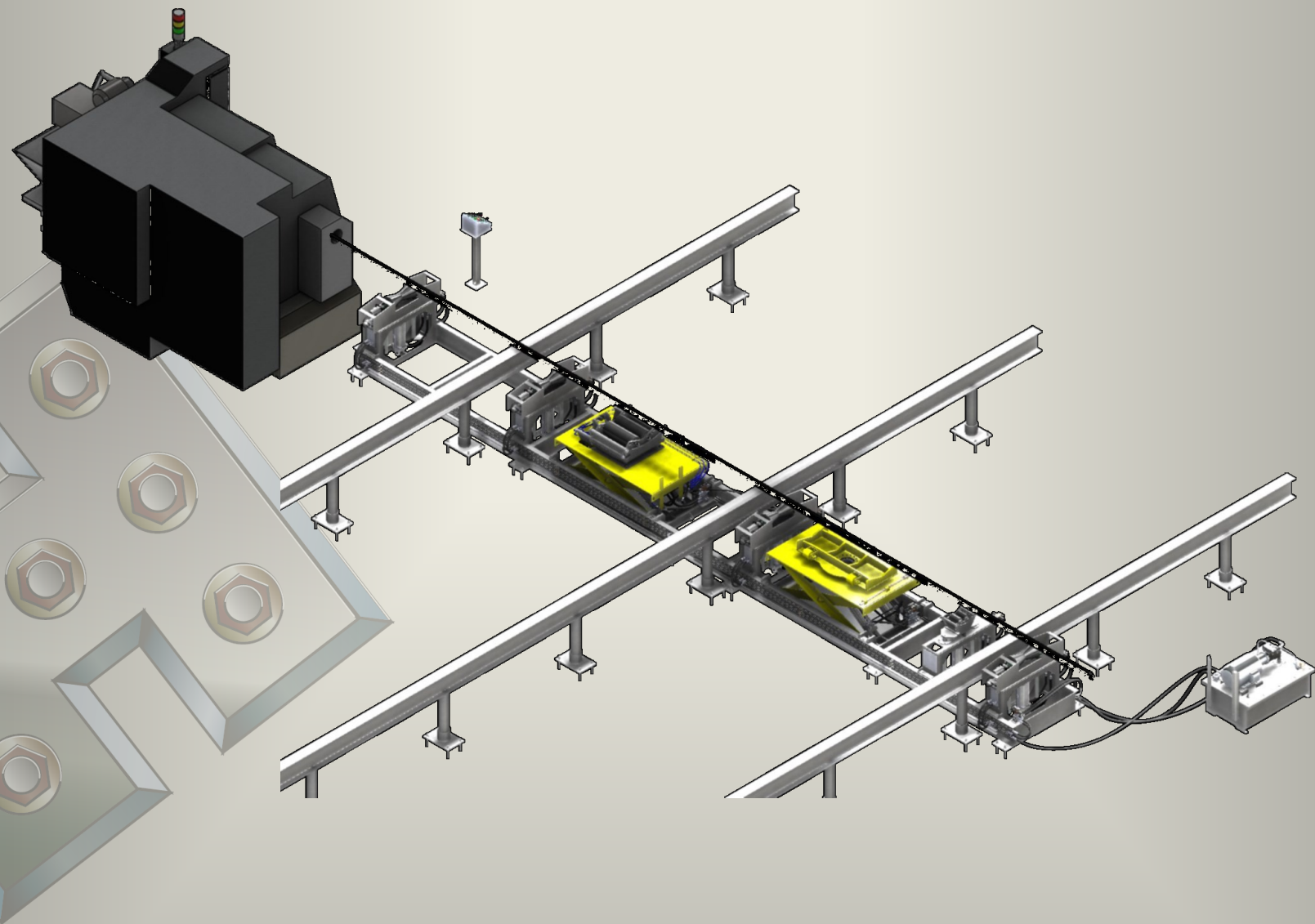


## LOADING CONVEYOR, HD



The Hub City Iron Works Loading Conveyor, HD is designed to facilitate the safe and efficient loading of tubular goods for lathe operations. With features like height repeatability and safety roller clamps, its user friendly controls and functionality streamline the loading process and provide operators an intuitive solution for pipe handling during machining operations.



Hub City Iron Works  
Phone: 1.337.334.6969

Email: [sales@hubcityironworks.com](mailto:sales@hubcityironworks.com)  
Website: [www.hubcityironworks.com](http://www.hubcityironworks.com)

## Standard Features

- Support Rollers
- Onboard PLC
- Easy to use operator interface
- Hydraulic Power Supply
- Hydraulically powered V-Rollers
- Height Repeatability
- Air cushion for dampening vibrations

## Capability

<b>Pipe Minimum OD</b>	1.5"
<b>Pipe Maximum OD</b>	20"
<b>Maximum Weight</b>	10,000 lbs
<b>Max Lift Height</b>	52" Centerline

## Optional Features

- Clamp Roller Assembly for pipe up to 3-1/2" OD
- Support Rollers to handle various lengths of pipe up to Range 3
- Pipe Turn Around Table

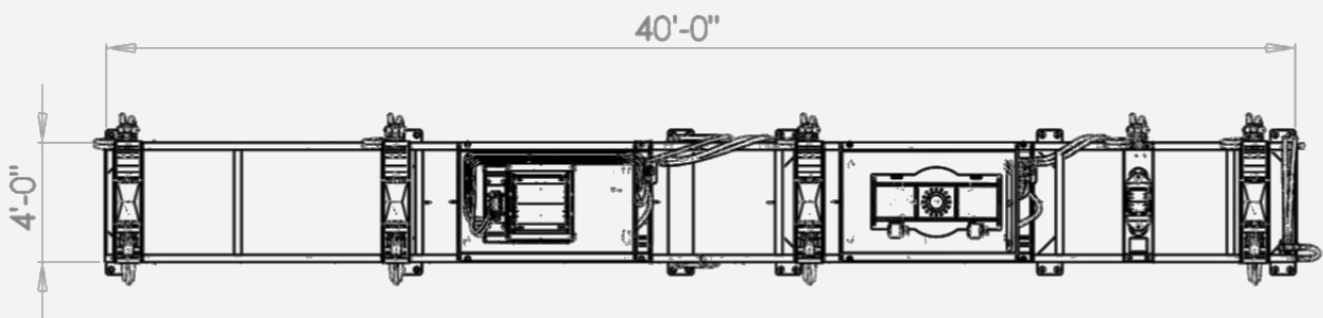
## Safety Features

- Mechanically active components are painted safety yellow
- Clamps
- Low voltage operator interface

## Requirements

- Electrical: 220/480V, 3-Phase, 60 Hz, 30 Amp
- Compressed Air: N/A
- Rack Height: 42"
- Flat and level concrete surface

# DIMENSIONS



Hub City Iron Works

Phone: 1.337.334.6969

Email: [sales@hubcityironworks.com](mailto:sales@hubcityironworks.com)

Website: [www.hubcityironworks.com](http://www.hubcityironworks.com)

