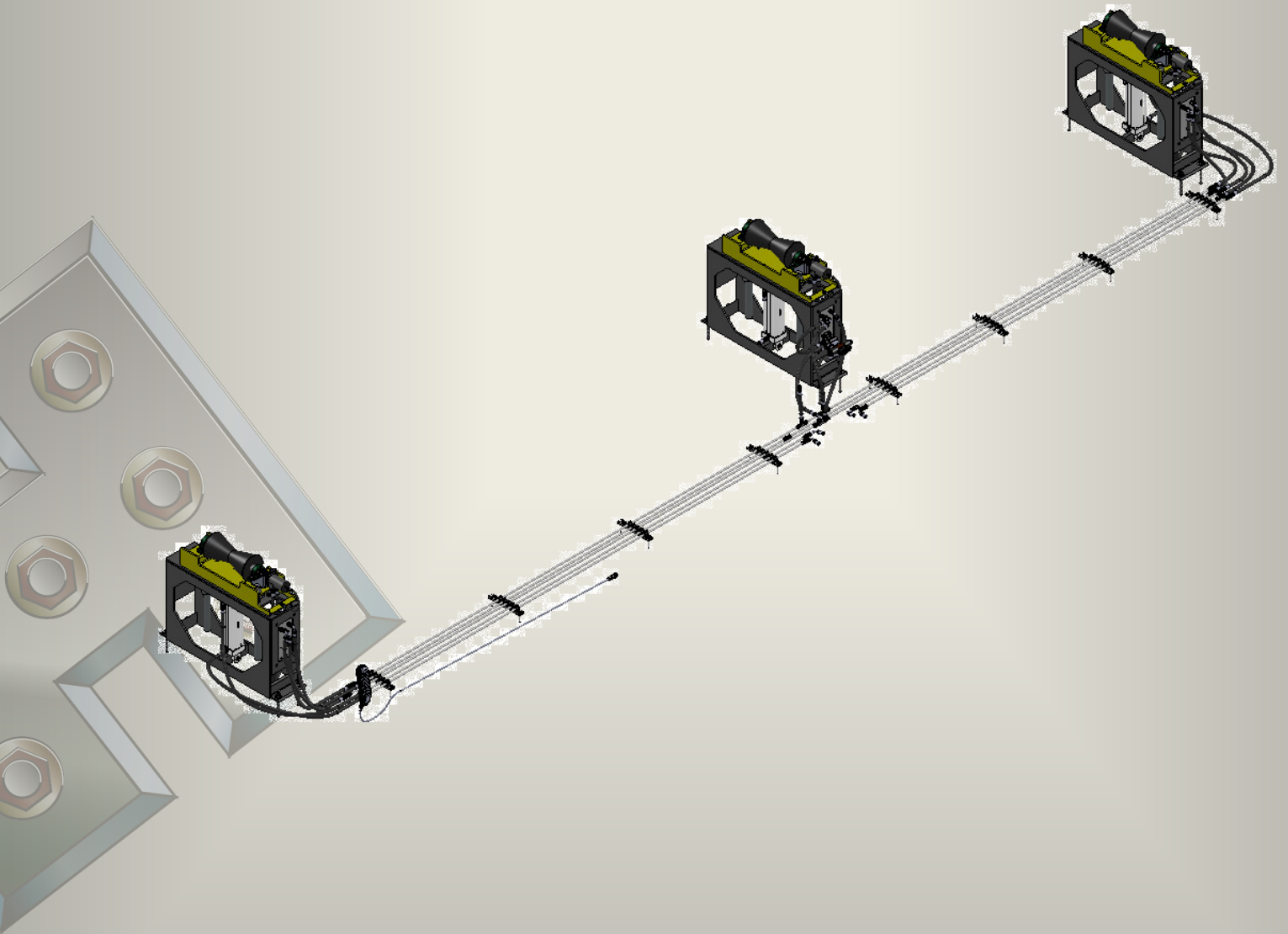


HD POP-UP CONVEYOR



The Hub City Iron Works HD Pop-Up Conveyors provide an easy to use and safe system to lift tubulars from the rack and transfer them into various machines, such as bucking units, phosphate sprayers and saws. This style of conveyor is customizable with options for numerous rollers.



Hub City Iron Works
Phone: 1.337.334.6969

Email: sales@hubcityironworks.com
Website: www.hubcityironworks.com

Standard Features

- Hydraulically powered Support Rollers
- Easy to use operator interface
- Hydraulic Power Supply (Sold Separately)
- Hydraulically powered V-Rollers

Optional Features

- Various numbers of pop-ups

Capability

Pipe Minimum OD	1.5"
Pipe Maximum OD	20"
Maximum Weight	10,000 lbs. (per 2 pop-ups)
Max Lift Height	14"

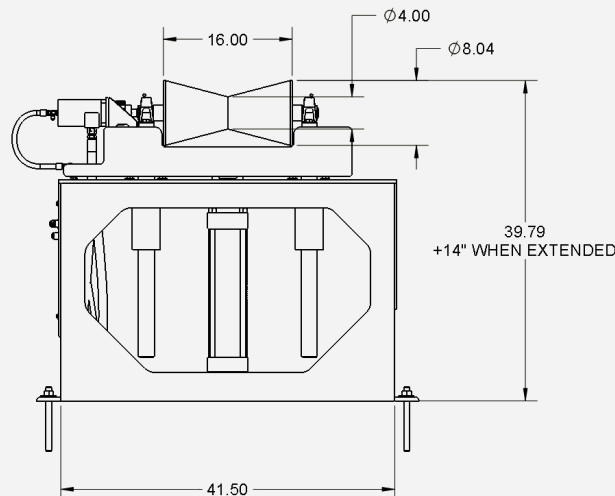
Safety Features

- Mechanically active components are painted safety yellow
- Low voltage operator interface

Requirements

- Electrical: 220/480V, 3-Phase, 60 Hz
- Compressed Air: N/A
- Rack Height: 42" Minimum
- Flat and level concrete surface

DIMENSIONS



Hub City Iron Works

Phone: 1.337.334.6969

Email: sales@hubcityironworks.com

Website: www.hubcityironworks.com

