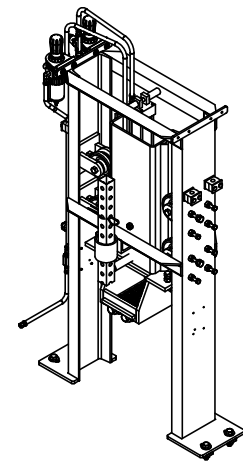


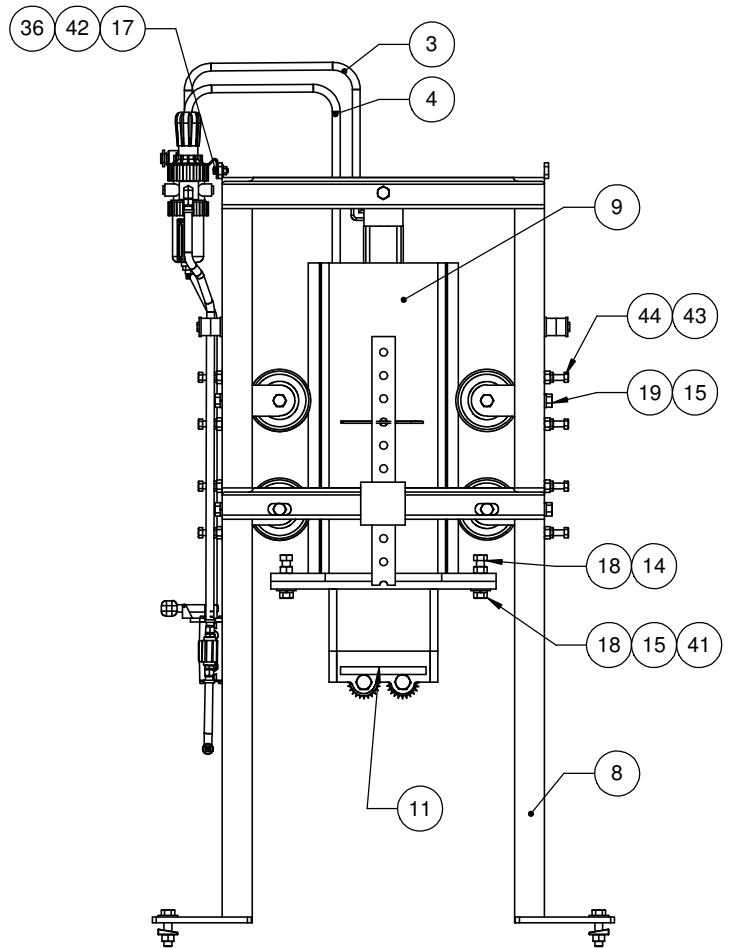
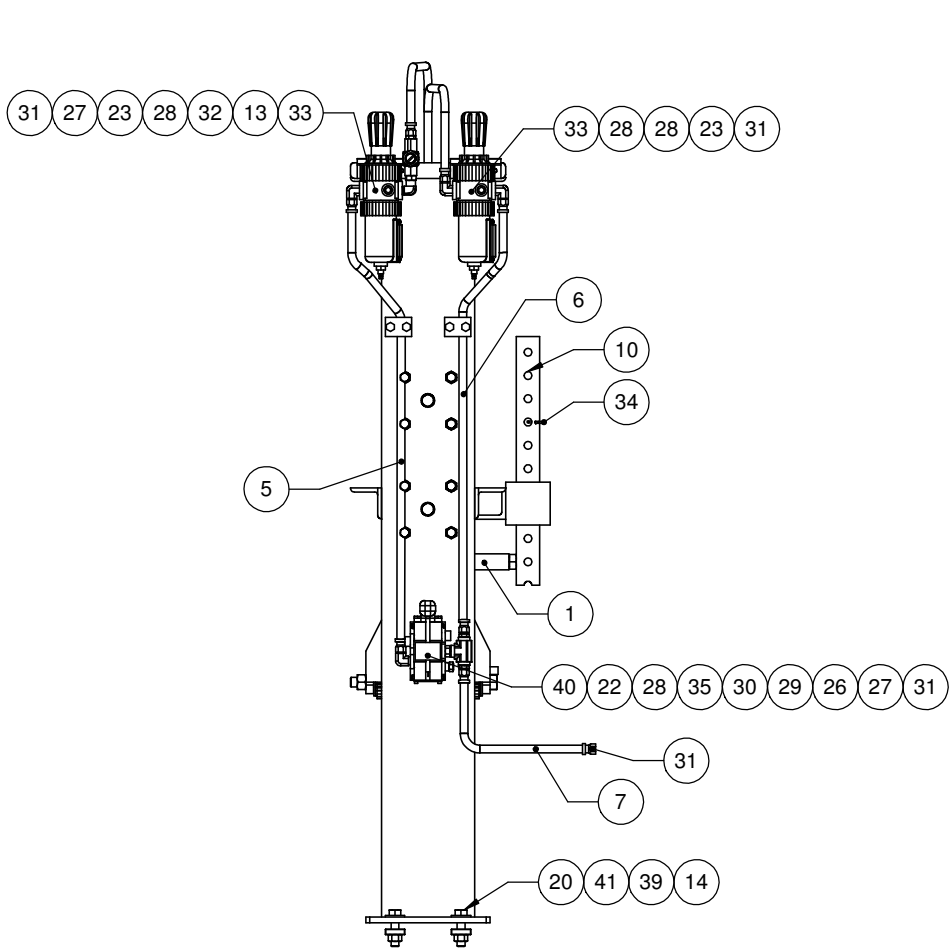
ITEM NO.	PART NUMBER	DESCRIPTION	QTY.
1	107-120-036-901	VERTICAL SLIDE STOP ADJ. - SPACER	2
2	107-120-039-901	PIPE, CYLINDER BRACE SPACER	2
3	107-600-720-XXX	[H2] HOSE , 0.25 IN. #2556-4 , 25 IN. LG W/ 4797-4 (BOTH-ENDS)	1
4	107-600-721-XXX	[H3] HOSE , 0.25 IN #2556-4 , 39 IN. LG. E/ 4797-4 (BOTH-ENDS)	1
5	107-600-722-XXX	[H1] HOSE , 0.25 IN. #2556-4 , 34 IN. LG. W/ 4797-4 (BOTH-ENDS)	1
6	107-600-723-XXX	[H4] HOSE , 0.25 IN. #2556-4 , 34 IN. LG. W/ 4797-4 (BOTH-ENDS)	1
7	107-600-724-XXX	[H5] HOSE , 0.25 IN #2556-4 , FF. LG. W/ 4797-4 (BOTH-ENDS)	1
8	107-700-225-00	O.D. SCRAPER FRAME ASSEMBLY	1
9	107-700-226-00	CENTER TUBE ASSEMBLY	1
10	107-700-229-00	VERTICAL SLIDE ANCHOR TUBING	1
11	107-701-129-00	SCRAPER HEAD ASSEMBLY	1
12	107-701-132-00	O.D. SCRAPER WHEEL ASSEMBLY	4
13	14007	AIR FLOW CONTROL VALVE, 1/4 in.	1
14	14124	NUT, HEX	8
15	14140	WASHER, LOCK, .50"	6
16	14304	BOLT, HHCS, .50" X 4.50" NC GR5	1
17	14305	BOLT, HHCS, .25" X .75"	4
18	14310	BOLT, HHCS, .50" X 1.50" NC GR5	6
19	14311	BOLT, HHCS, .50" X 1.75" NC GR5	4
20	14312	BOLT, HHCS, .50" X 2" NC GR5	4
21	14420	BOLT, HHCS, .50" X 7" NC GR8	1
22	14476	BOLT, SHCS, 10-24 X .75"	4
23	14538	MOUNTING BRACKET	2
24	15099	AIR CYLIDNER	1
25	15296	ROD EYE	1
26	15478	PIPE PLUG	2
27	15574	FITG	3
28	15581	FITG	6
29	15597	TEE	1
30	15600	NIPPLE	2

ITEM NO.	PART NUMBER	DESCRIPTION	QTY.
31	15610	FITG	10
32	15637	ELBOW	1
33	16022	AIR VALVE	2
34	16098	COTTER PIN	1
35	16448	MUFFLER	1
36	16483	NUT, HEX	4
37	16522	NUT, JAM, .50" NC	2
38	16529	NUT, JAM, .625" NC	1
39	17218	LEVELING SHIM	4
40	17556	DIRECTIONAL CONTROL VALVE	1
41	17649	WASHER, FLAT, .50"	6
42	17650	WASHER, FLAT, .25"	4
43	22848	NUT, JAM, .375" NC	16
44	37074	BOLT, HHCS, .375" x 1.50" NC GR5	16



ECN	REV	DESCRIPTION	DRAWN	CHECKED	DATE	UNLESS OTHERWISE STATED	TOLERANCE UNLESS OTHERWISE SPECIFIED	PROPRIETARY AND CONFIDENTIAL		
-	A	RELEASED FOR MANUFACTURING	FLS	JBB	11/09/12	- ALL SHARP EDGES TO BE GROUND R0.125" - ALL WELDS IN ACCORDANCE WITH AWS D1.1 and KWS-001 - MARK/STAMP PT. # AND/OR W.O. # ON PARTS - $\phi \pm 0.063$	X" $\pm .5"$ X.X" $\pm .25"$ X.XX" $\pm .125"$ X.XXX" $\pm .063"$ X.XXXX" $\pm .010"$ X" $\pm 1"$	THE INFORMATION CONTAINED IN THIS DRAWING IS THE SOLE PROPERTY OF HUB CITY IRON WORKS. ANY REPRODUCTION IN PART OR AS A WHOLE WITHOUT THE WRITTEN PERMISSION OF HUB CITY IRON WORKS IS PROHIBITED.		
0188	B	REPLACED WASHER/LOCK NUT WITH WASHER/JAM NUT	JTD	PWF	4/16/13			TITLE: O.D. SCRAPER ASSEMBLY		
0554	C	CORRECTED SAP #S AND REMOVE .5" SS LW REPLACED W/REG.	PWF	JBB	3/28/14	MATERIAL N/A		DRAWN: FLS DATE: 12/12/11		
0773	D	REDO PRINT & ADD & REMOVE PARTS SEE ECN	PWF	JWP	10/6/14	COATING N/A	3rd ANGLE PROJECTION	CHECKED: JBB DATE: 11/09/12		
	E					DO NOT SCALE ALL DIMENSION IN INCHES		APPROVED: JBB DATE: 10/07/14		
		I	H	G	F	E	D	C	B	A
								DWG. No: 107-701-128-00 REV: D		
								SAP. No: 13628 WT:209.052 LBS SHEET 1 OF 3		

001-101-005 REV A C:\00ENGRVAULT\Products\107 - Pipe Cleaning Machine\701 - Mechanical Sub Assemblies\



ECN	REV	DESCRIPTION	DRAWN	CHECKED	DATE	UNLESS OTHERWISE STATED	TOLERANCE UNLESS OTHERWISE SPECIFIED		PROPRIETARY AND CONFIDENTIAL		
-	A	RELEASED FOR MANUFACTURING	FLS	JBB	11/09/12	- ALL SHARP EDGES TO BE GROUND R0.125" - ALL WELDS IN ACCORDANCE WITH AWS D1.1 and KWS-001 - MARK/STAMP PT. # AND/OR W.O. # ON PARTS - $\phi \pm 0.063$	X" $\pm .5"$ X.X" $\pm .25"$ X.XX" $\pm .125"$ X.XXX" $\pm .063"$ X.XXXX" $\pm .010"$ X" $\pm 1"$		THE INFORMATION CONTAINED IN THIS DRAWING IS THE SOLE PROPERTY OF KNIGHT MANUFACTURING, INC. ANY REPRODUCTION IN PART OR AS A WHOLE WITHOUT THE WRITTEN PERMISSION OF KNIGHT MANUFACTURING, INC. IS PROHIBITED. TITLE: O.D. SCRAPER ASSEMBLY		
0188	B	REPLACED WASHER/LOCK NUT WITH WASHER/JAM NUT	JTD	PWF	4/16/13	MATERIAL	3rd ANGLE PROJECTION		DRAWN: FLS 12/12/11 CHECKED: JBB 11/09/12 APPROVED: JBB 10/07/14	DWG. No: 107-701-128-00 SAP. No: 13628	REV.: D
0554	C	CORRECTED SAP #S AND REMOVE .5" SS LW REPLACED W/REG.	PWF	JBB	3/28/14	COATING			WT: 209.052 LBS SHEET 2 OF 3		
0773	D	REDO PRINT & ADD & REMOVE PARTS SEE ECN	PWF	JWP	10/6/14	N/A					
	E					N/A					
						DO NOT SCALE ALL DIMENSION IN INCHES					
I	H	G	F	E	D	C	B	A			

5

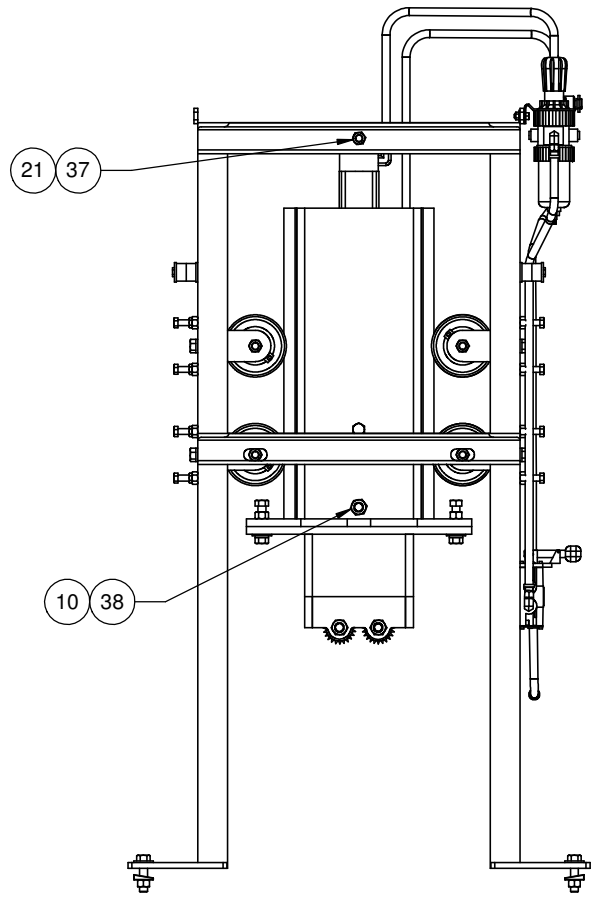
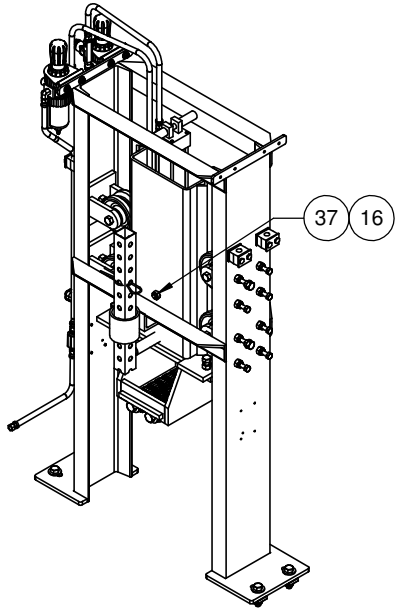
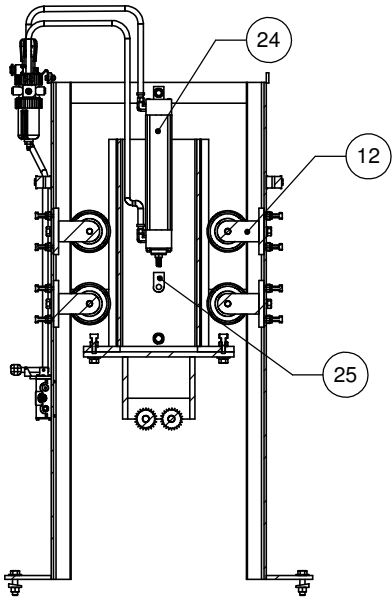
4

3

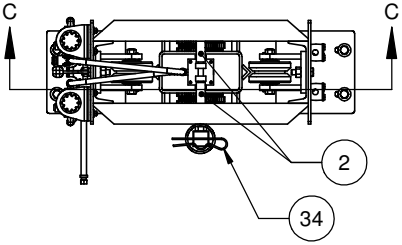
2

1

C:\06ENGRVAULT\Products\107 - Pipe Cleaning Machine\107 - Mechanical Sub Assemblies\001-101-005 REV A



SECTION C-C



ECN	REV	DESCRIPTION	DRAWN	CHECKED	DATE	UNLESS OTHERWISE STATED	TOLERANCE UNLESS OTHERWISE SPECIFIED		PROPRIETARY AND CONFIDENTIAL	
-	A	RELEASED FOR MANUFACTURING	FLS	JBB	11/09/12	- ALL SHARP EDGES TO BE GROUND R0.125" - ALL WELDS IN ACCORDANCE WITH AWS D1.1 and KWS-001 - MARK/STAMP PT. # AND/OR W.O. # ON PARTS - $\phi \pm 0.063$	X" $\pm .5"$ X.X" $\pm .25"$ X.XX" $\pm .125"$ X.XXX" $\pm .063"$ X.XXXX" $\pm .010"$ X" $\pm 1"$		THE INFORMATION CONTAINED IN THIS DRAWING IS THE SOLE PROPERTY OF KNIGHT MANUFACTURING, INC. ANY REPRODUCTION IN PART OR AS A WHOLE WITHOUT THE WRITTEN PERMISSION OF KNIGHT MANUFACTURING, INC. IS PROHIBITED.	
0188	B	REPLACED WASHER/LOCK NUT WITH WASHER/JAM NUT	JTD	PWF	4/16/13	MATERIAL	3rd ANGLE PROJECTION	TITLE: O.D. SCRAPER ASSEMBLY		
0554	C	CORRECTED SAP #S AND REMOVE .5" SS LW REPLACED W/REG.	PWF	JBB	3/28/14	COATING		DWG. No: 107-701-128-00		
0773	D	REDO PRINT & ADD & REMOVE PARTS SEE ECN	PWF	JWP	10/6/14	N/A		SAP. No: 13628 WT: 209.052 LBS SHEET 3 OF 3		
	E					DO NOT SCALE ALL DIMENSION IN INCHES		REV: D		
I	H	G	F	E	D	C	B	A		

5

4

3

2

1

001-101-005 REV A C:\00ENGR\VAULT\Products\107 - Pipe Cleaning Machine\701 - Mechanical Sub Assemblies