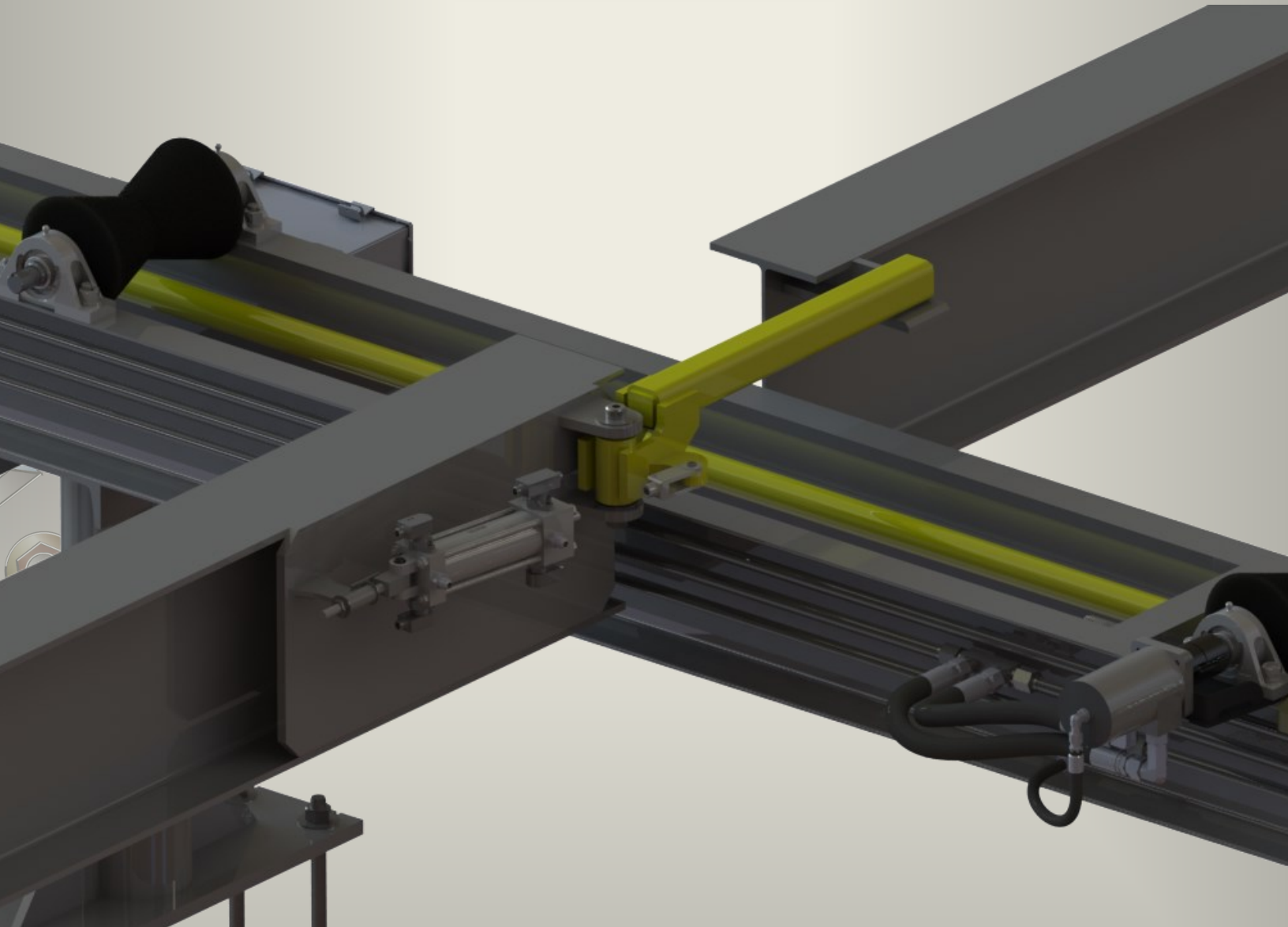


## PIPE BRIDGE



The Hub City Iron Works Pipe Bridge is designed to provide an automated means of transferring pipe across a void in the pipe racks. By utilizing built-in sensors in the cylinder, the risk of damaging the bridge by inadvertently offloading pipe or moving pipe into the bridge is eliminated.



Hub City Iron Works  
Phone: 1.337.334.6969

Email: [sales@hubcityironworks.com](mailto:sales@hubcityironworks.com)  
Website: [www.hubcityironworks.com](http://www.hubcityironworks.com)