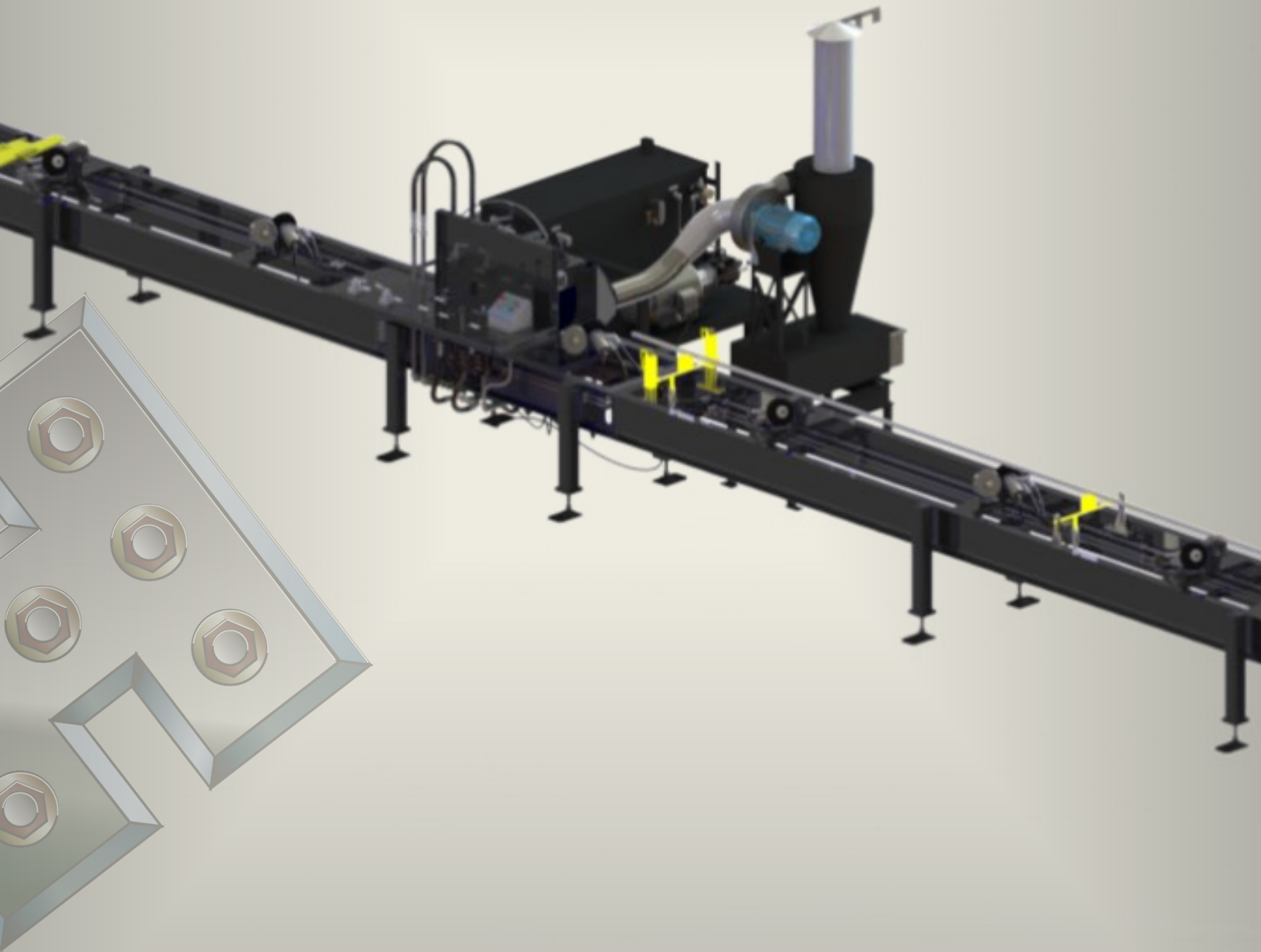


PIPE CLEANING MACHINE LT



The Hub City Iron Works PCM-LT provides OD and ID cleaning for oilfield tubing, drill pipe and casing. It comes equipped with a steel brush for cleaning the OD of the pipe and a rigid lance for mounting a rattling motor for ID scale removal. The robust design has repeatedly proven itself to be a reliable and effective product that meets the demands of today's harsh work environments.



Hub City Iron Works
Phone: 1.337.334.6969

Email: sales@hubcityironworks.com
Website: www.hubcityironworks.com

Standard Features

- Single Wire Brush for outside diameter cleaning
- “Floating” Brush System to accommodate upsets
- Rattling Motor Lance for inside diameter cleaning
- Adjustable drive speed
- Dust Collection System
- Single pump hydraulic power supply
- Left or Right hand pipe loading configurations
- 6’ Roller Station Spacing
- Range 2 pipe capability
- Manually controlled hydraulic valves

Optional Features

- Outside diameter Descaler
- Range 3 pipe capability
- Rattler motor centering device
- Water blasting system
- 3’ Roller Station Spacing

Safety Features

- Moving items painted high visibility safety yellow
- Central control station for one operator provides a clear view of work space
- Dust collection system reduces operator dust exposure
- Low voltage operator interface

Capability

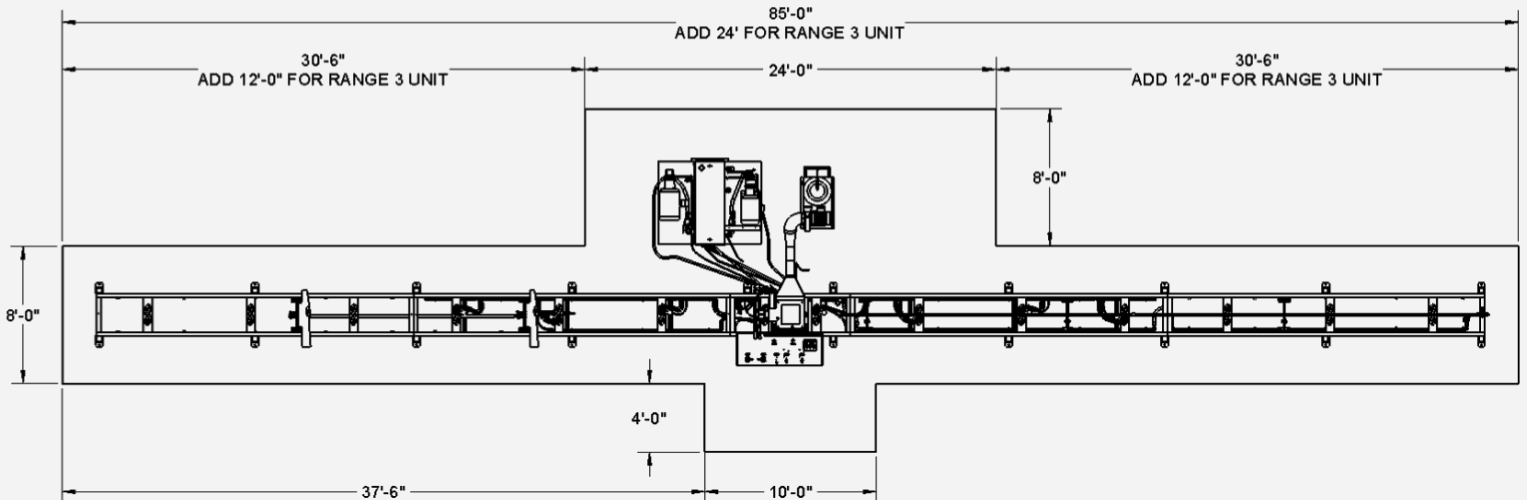
Category	Narrow Pedestals		Standard Pedestals		
	Min Tube OD	Max Tube OD	Min Tube OD	Max Tube OD	Max Tool Joint OD
Drill Pipe/ Tubing	3/4”	3-1/2”	2.-3/8”	5-1/2”	7”
Casing	-	-	4-1/2”	5-1/2”	6-1/2”

NOTE: Cleaning and conveying performance can be diminished by larger pipe sizes and water blasting

Requirements

- Electrical: 220/480V, 3-Phase, 50/60 Hz
- Compressed Air: 100 PSI @ 150 CFM
- Rack Height: 36”-48”

DIMENSIONS



Hub City Iron Works

Phone: 1.337.334.6969

Email: sales@hubcityironworks.com

Website: www.hubcityironworks.com

