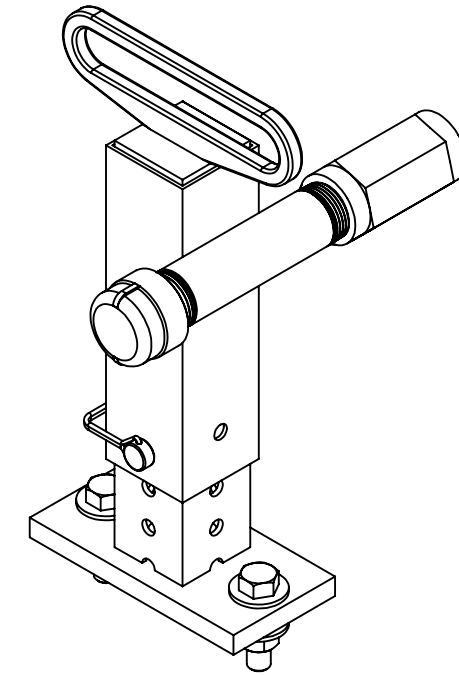
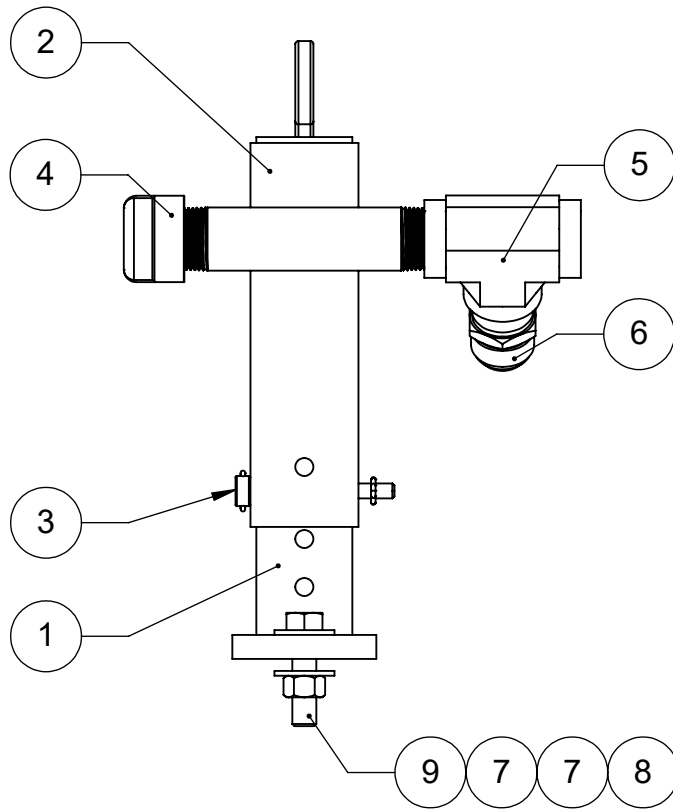
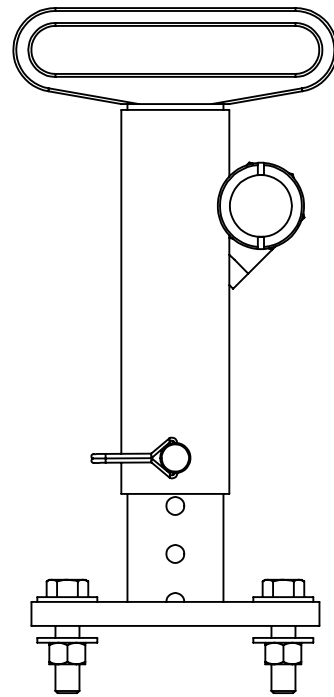


ITEM NO.	PART NUMBER	SAP No	DESCRIPTION	QTY.
1	117-700-012-00		PERFORATED TUBE ASSEMBLY (REAR PINED TYPE)	1
2	117-700-029-00	51283	REAR ELEVATION COVER (PINED TYPE)	1
3	49619		PIN	1
4	16642		1" NPT PIPE CAP	1
5	15599	15599	TEE	1
6	15667	15667	ADAPTOR	1
7	17649		WASHER, FLAT, .50"	4
8	14124		NUT, HEX, .5" NC	2
9	14312		BOLT, HHCS, .50" X 2" NC GR5	2



ECN	REV	DESCRIPTION	DRAWN	CHECKED	DATE	UNLESS OTHERWISE STATED	TOLERANCE UNLESS OTHERWISE SPECIFIED	BY: DATE:		PROPRIETARY AND CONFIDENTIAL	
-	A	RELEASED FOR MANUFACTURING	PWF	RL	06/21/16	- ALL SHARP EDGES TO BE GROUND R0.125" - ALL WELDS IN ACCORDANCE WITH AWS D1.1 and KWS-001 - MARK/STAMP PT. # AND/OR W.O. # ON PARTS - $\phi \pm 0.063$	X" $\pm .5"$ X.X" $\pm .25"$ X.XX" $\pm .125"$ X.XXX" $\pm .063"$ X.XXXX" $\pm .010"$ X° $\pm 1°$			THE INFORMATION CONTAINED IN THIS DRAWING IS THE SOLE PROPERTY OF HUB CITY IRON WORKS. ANY REPRODUCTION IN PART OR AS A WHOLE WITHOUT THE WRITTEN PERMISSION OF HUB CITY IRON WORKS IS PROHIBITED.	
	B					MATERIAL N/A				TITLE: REAR LANCE SUPPORT (PINED TYPE)	
	C					COATING N/A	3rd ANGLE PROJECTION			DWG. No:	REV.:
	D					DO NOT SCALE ALL DIMENSION IN INCHES				117-701-021-00	A
	E							DRAWN:	PWF	06/01/16	
	F							CHECKED:	RL	06/21/16	
	G							APPROVED:	RL	06/21/16	
I	H	G	F	E	D	C	B	A	SAP. No: 49655	WT:6.099 LBS	SHEET 1 OF 1

001-101-005 REV A C:\ENGRVAULT\00ENGRVAULT\Products\117 - Enclosed Pipe Cleaning Machine\701 - MECHANICAL ASSEMBLY\