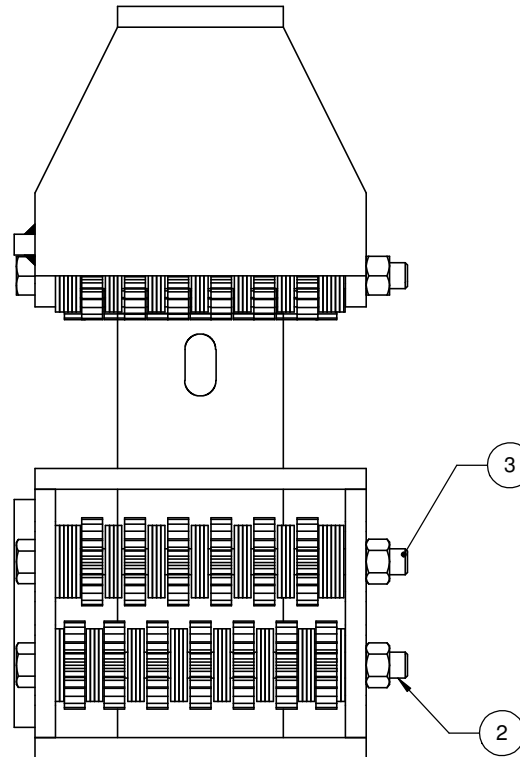
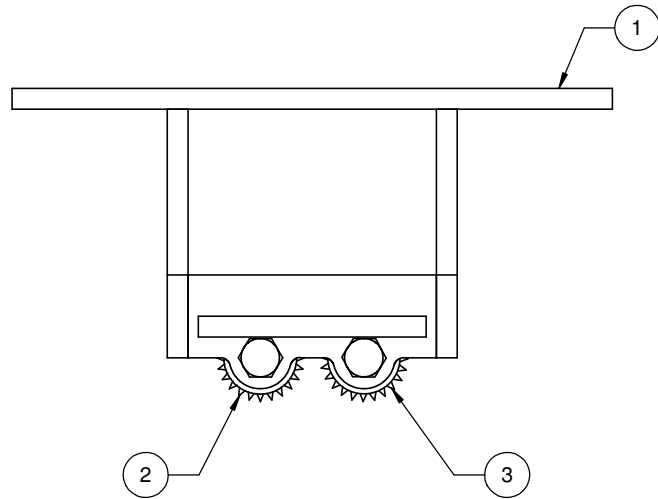
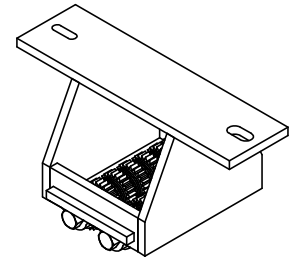


ITEM NO.	PART NUMBER	DESCRIPTION	QTY.
1	107-700-227-00	SCRAPER HEAD FRAME ASSEMBLY	1
2	107-701-130-00	O.D. SCRAPER (7) CUTTER WHEEL UNIT	1
3	107-701-131-00	O.D. SCRAPER (6) CUTTER WHEEL UNIT	1



BOTTOM VIEW



ECN	REV	DESCRIPTION	DRAWN	CHECKED	DATE	UNLESS OTHERWISE STATED	TOLERANCE UNLESS OTHERWISE SPECIFIED	PROPRIETARY AND CONFIDENTIAL	
-	A	RELEASED FOR MANUFACTURING	FLS	JBB	11/09/12	- ALL SHARP EDGES TO BE GROUNDED R0.125" - ALL WELDS IN ACCORDANCE WITH AWS D1.1 and KWS-001 - MARK/STAMP PT. # AND/OR W.O. # ON PARTS - $\phi \pm 0.063$	X" $\pm .5$ " X.X" $\pm .25$ " X.XX" $\pm .125$ " X.XXX" $\pm .063$ " X.XXXX" $\pm .010$ " X" ± 1 "	THE INFORMATION CONTAINED IN THIS DRAWING IS THE SOLE PROPERTY OF HUB CITY IRON WORKS. ANY REPRODUCTION IN PART OR AS A WHOLE WITHOUT THE WRITTEN PERMISSION OF HUB CITY IRON WORKS IS PROHIBITED.	
	B					MATERIAL		TITLE: SCRAPER HEAD ASSEMBLY	
	C					N/A		BY: _____ DATE: _____	
	D					COATING	3rd ANGLE PROJECTION	DRAWN: FLS 12/09/11	
	E					N/A		CHECKED: JBB 11/09/12	
						DO NOT SCALE ALL DIMENSION IN INCHES		APPROVED: JBB 11/09/12	
I	H	G	F	E	D	C	B	A	1
								DWG. No: 107-701-129-00 REV: A	
								SAP. No: _____ WT:24.706 LBS SHEET 1 OF 1	