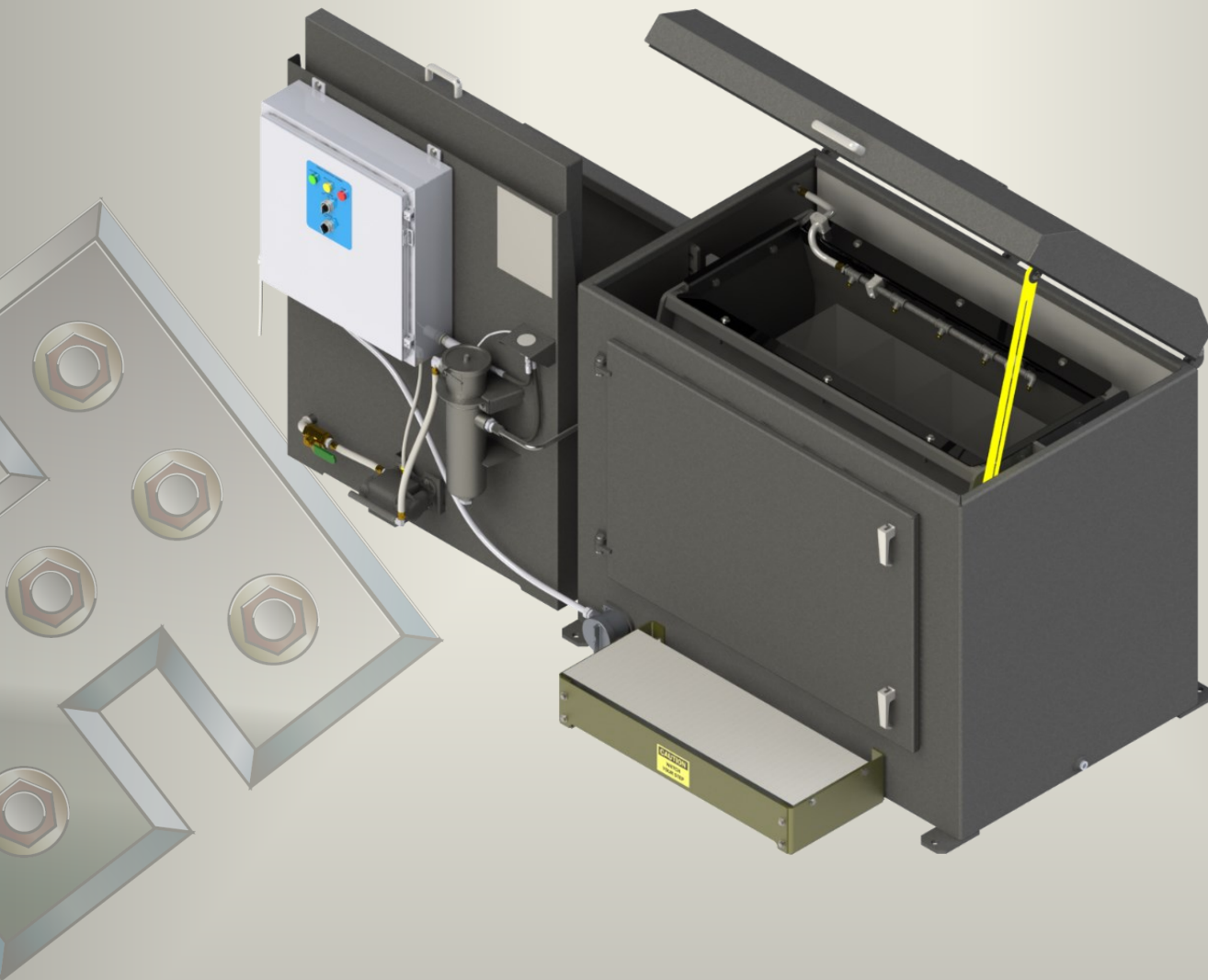


THREAD PROTECTOR CLEANING MACHINE



The Hub City Iron Works Thread Protector Cleaning Machine uses a solvent with a ceramic media to rub against the ID and OD surfaces of thread protectors and provides an unrivaled cleaning solution. The process, which takes about 45 minutes, uses an industrial strength vibratory motor to circulate the media and remove debris from thread protectors. This unit, in addition to being fast and effective, eliminates the human element from the process resulting in a safe and superior operation.



Hub City Iron Works

Phone: 1.337.334.6969

Email: sales@hubcityironworks.com

Website: www.hubcityironworks.com

Standard Features

- Industrial strength vibratory motor
- Ceramic abrasive media
- Air operated cleaning solution recirculation pump
- Particulate settling and filtering tanks
- Pump filtration system
- Operation timer
- Tub capacity (Standard: 45gal) (Large: 90gal)
- Non-flammable solvent

Capability (Standard)

Thread Protector Size	Approximate Capacity
2-3/8"	200
2-7/8"	175
3-1/2"	150
4"	125
4-1/2"	100
5"	75
5-1/2"	50
6-5/8"	25

Optional Features

- Large Thread Protector Cleaning Machine

Safety Features

- Open lid locking mechanism during access
- Equipment safety labels

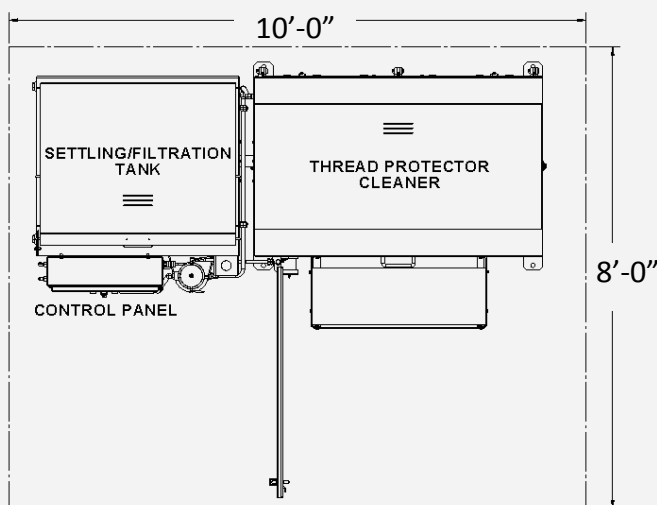
Requirements

- Electrical: 480V, 3-Phase, 50/60 Hz (Others by request)
- Compressed Air: 100 PSI @ 30 CFM

Capability (Large)

Thread Protector Size	Approximate Capacity
2-3/8"	400
2-7/8"	350
3-1/2"	300
4"	250
4-1/2"	200
5"	150
5-1/2"	100
6-5/8"	50

DIMENSIONS



NOTE: Large Thread Protector Cleaner width is twice that of Standard.

